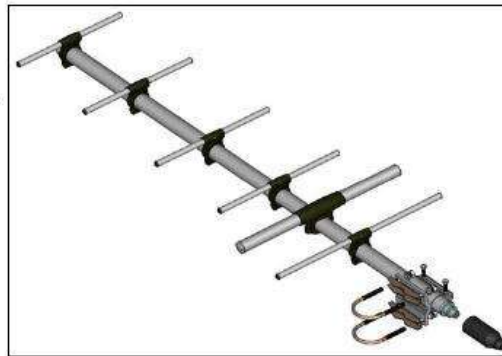


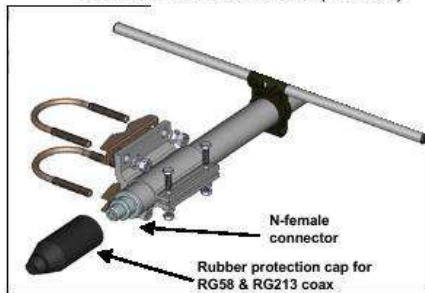
**Main Features:**

- ➔ An innovative feed system conceived and applied to get highly symmetrical radiation pattern in both planes (E and H)
- ➔ High power capability up to 150 Watts
- ➔ Wide band antennas that cover 380-470 MHz suitable for UHF analog/digital land mobile radio PMR/PAMR (400-470 MHz) or TETRA band (380-440 MHz)
- ➔ Completely computer designed to get the best performances of gain and front-to-back ratio in the band of interest
- ➔ The mechanical best robustness:
  - ➔ All aluminum parts protected by anodized treatment
  - ➔ Stainless steel and zinc plated hardware
  - ➔ Extruded aluminum bracket for the best strength
  - ➔ Rear mounting
- ➔ Stacked & bayed array for more gain
- ➔ OPTIONAL: Tilting bracket for  $\pm 20^\circ$



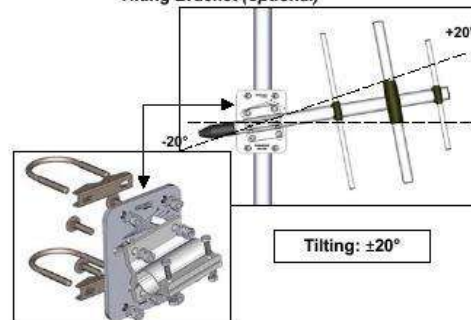
**Mechanical :**

Rear boom and bracket view (standard)



**Standard bracket:**  
 Materials: aluminum, stainless & zinc plated steel  
 Dimensions (approx): 80 x 76 x 65 mm

Tilting Bracket (optional)



**Tilting bracket:**  
 Materials: aluminum, stainless & zinc plated steel  
 Dimensions (approx): 110 x 150 x 70 mm  
 Weight (approx): 700 gr

	WY 380-3N	WY 400-3N	WY 380-6N	WY 400-6N	WY 380-10N	WY 400-10N
Type	3 element Yagi		6 element Yagi		10 element Yagi	
Frequency range	380-440 MHz	400-470 MHz	380-440 MHz	400-470 MHz	380-440 MHz	400-470 MHz
Impedance	50 Ω					
Polarization	Linear Vertical or Horizontal					
Max gain	7 dBi / 5 dBd	7 dBi / 5 dBd	11 dBi / 9 dBd	11 dBi / 9 dBd	14 dBi / 12 dBd	14 dBi / 12 dBd
HPBW at mid band (E-plane)	65 deg	65 deg	55 deg	55 deg	45 deg	45 deg
HPBW at mid band (H-plane)	125 deg	125 deg	70 deg	70 deg	50 deg	50 deg
Front to back ratio at mid band	≥ 17 dB	≥ 17 dB	≥ 17 dB	≥ 17 dB	≥ 18 dB	≥ 18 dB
S.W.R. in bandwidth	< 1.5:1					
Max Power	150 Watts (CW) at 30°C ambient					
Lightning protection	DC-ground					
Connector	"N" female with rubber protection cap					
Feed System / Position	RG303 Teflon coax with balun / inside boom					

**Mechanical Data:**

	WY 380-3N	WY 400-3N	WY 380-6N	WY 400-6N	WY 380-10N	WY 400-10N
Constructions Materials	Anodized 6063-T5 Aluminum, EPDM rubber, thermoplastic UV stabilized, Chromed Brass					
Dimensions (approx.)	565 x 400mm	525 x 375mm	1180 x 400mm	1130 x 375mm	2125 x 400mm	2000 x 375mm
Turning Radius (approx.)	460mm	420mm	1050mm	1000mm	1990mm	1860mm
Wind surface / Wind load	0,048 m <sup>2</sup> / 65N at 150 Km/h		0,078 m <sup>2</sup> / 100N at 150 Km/h		0,12 m <sup>2</sup> / 150N at 150 Km/h	
Wind resistance	180 Km/h		150 Km/h		120 Km/h	
Operating Temperature	-40°C to +60°C					
Weight (approx.)	1130 g	1100 g	1540 g	1490 g	2120 g	2040 g
Mounting Mast	∅ 35-52 mm					
Boom diameter	∅ 32 mm					
Element diameter	∅ 12 mm					
Dipole diameter	∅ 24 mm					

